

Nova 6

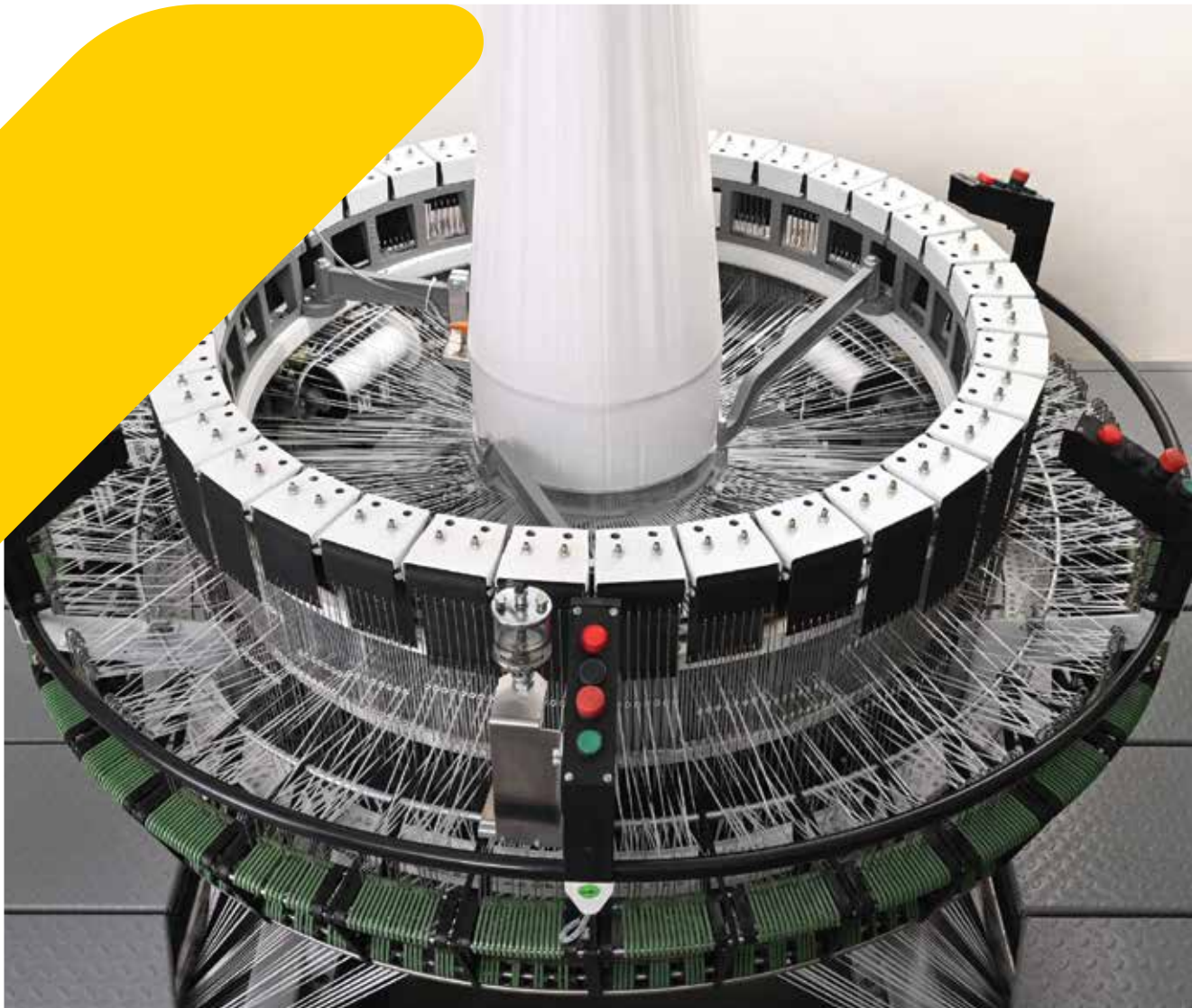
circular loom

Higher Working Speed

Excellent Weaving Quality

Low Energy Consumption

Low Maintenance Cost



Nova 6

circular loom

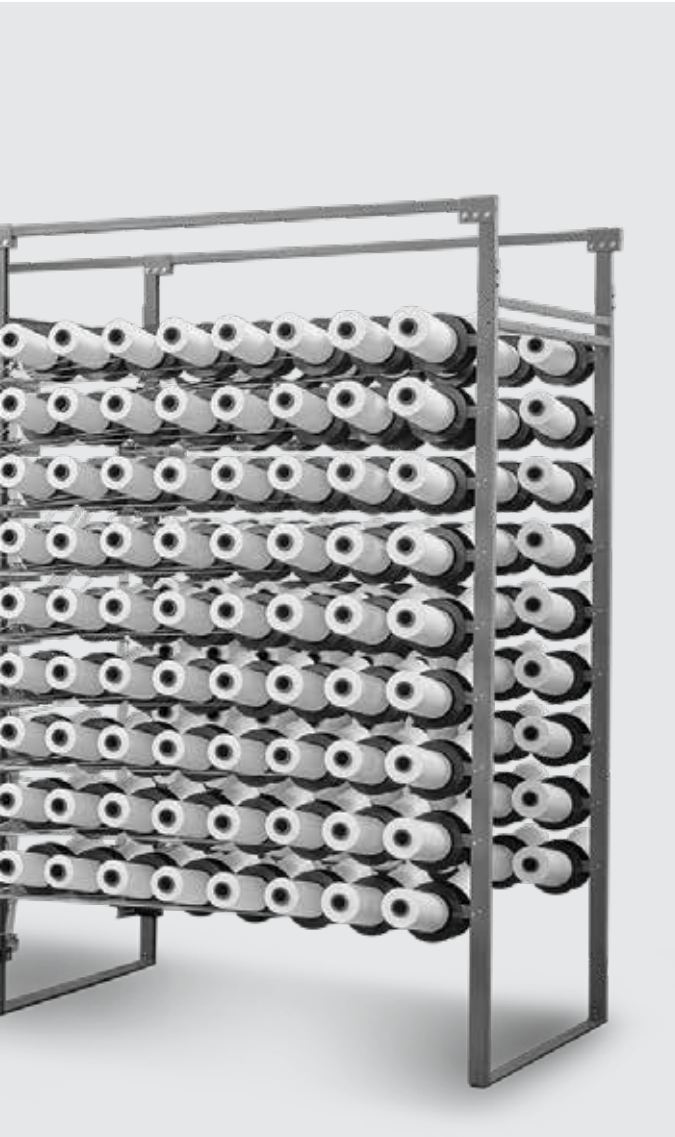


6-Shuttle Loom

Nova 6 with max. weft insertion speed upto 1100 picks/min. gives excellent quality and productivity. It can produce light weight fabric preferably for packaging of cement, fertilizer, polymer granules, chemicals, seeds, animal feed etc.

Nova 6 can be converted to **Nova 6 SJ** later to produce Smart Jute fabric using Smart Jute kit.

Smart Jute bags/fabric is an alternative to traditional jute bags/fabric. It can be used for packaging of food grains, tea, coffee, coco beans, perishable vegetables etc.



Working Width - Double Flat
30 to 90 cm

Weft Insertion Rate (max.)
1100 ppm*



INLET DRIVE

Positive Warp In-feed System having inlet motor with load cell control, regulates the tension of warp tapes on each inlet roller separately, by controlling its speed. Desired warp tension can be adjusted depending on fabric/tape specs. to improve fabric quality.



LOOM CONTROLLER

Microprocessor Based Control System is used for setting various machine & process parameters. Performance parameters such as Shift wise as well as cumulative production, efficiency, breakage as well as exhaustion incidents of warp & weft, roll length are updated/seen.



FABRIC WINDER WITH LOAD CELL

Uniform Winding Tension of the fabric is maintained throughout the fabric roll built up by using load cell assisted drive.

OPTIONAL EQUIPMENTS

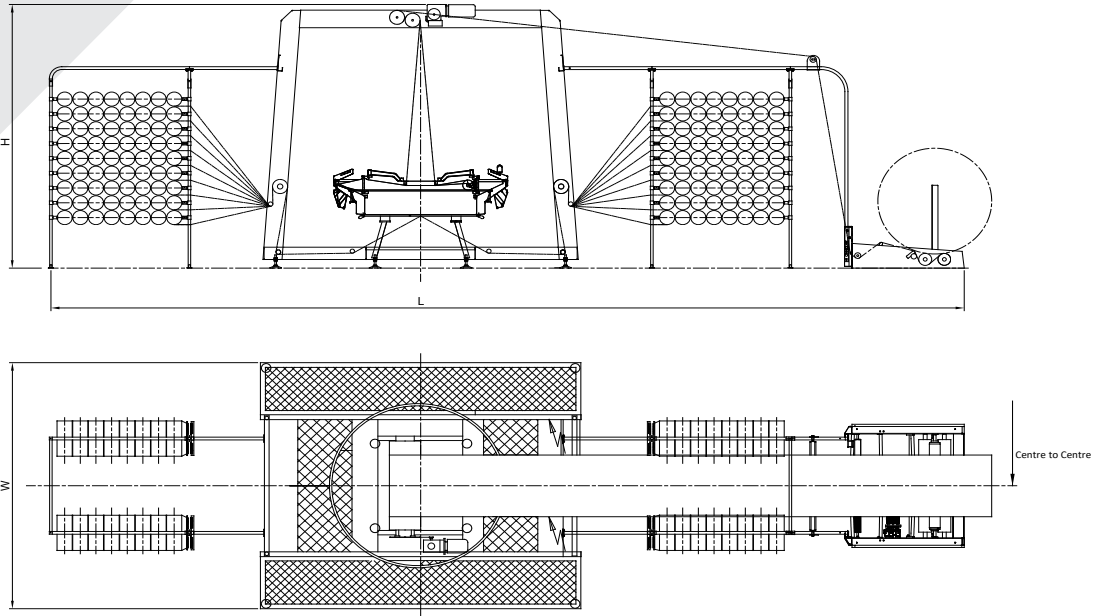
- Gusseting Device
- Fabric Slitting Device (Thermal /Ultrasonic)
- Fabric Unfolding Device
- Additional Fabric Surface Winder (Standard / Wide width)
- Loom Data Monitoring System

LOOM DATA MONITORING SYSTEM

LDMS collects data from loom controller and facilitates in indicating running status with performance of loom/group of looms on the network on shift wise, daily, weekly or monthly basis.

Nova 6

circular loom



	<i>Nova 6</i>	<i>Nova 6 SJ</i>
Working Width - Double Flat	30 to 90 cm	30 to 90 cm
No. of Shuttles / Loom	6	6
Weft Insertion Rate (max.)	1100 ppm*	500 ppm*
Warp / Weft Core Internal Diameter	35 mm**	35 mm**
Warp / Weft Core Length	218 mm**	218 mm**
Warp Bobbin Diameter (max.)	160 mm**	160 mm**
Weft Bobbin Diameter (max.)	110 mm	115 mm
No. of Tapes	576 / 720	576 / 720
Fabric Roll Diameter (max.)	1200 mm	1200 mm
Dimensions (L X W X H)	For 576 tapes - 9.6 x 2.8 x 3.0 m For 720 tapes - 10.3 x 2.8 x 3.0 m	For 576 tapes - 9.6 x 2.8 x 3.0 m For 720 tapes - 10.3 x 2.8 x 3.0 m
Centre to Centre	2.2 m	2.2 m

* Actual processing speed depends upon reed version, fabric width, construction, tape specifications, quality of tapes and winding.

** Special versions on request.

Specifications are subject to change without prior notice, due to continuous developments. These are indicative and not binding.

Extreme values indicated are not achievable simultaneously.

The pictures/layout may show optional equipments that are not a part of the standard supply.

For details, refer to the quotation.

HEAD OFFICE & WORKS

Lohia Corp Limited
D-3/A, Panki Industrial Estate
Kanpur - 208022, India

T: +91 512 3123222
E: sales@lohiagroup.com

W: lohiagroup.com

OFFICES IN INDIA

AHMEDABAD T: +91 79 47729820
BENGALURU T: +91 9792971135
DELHI T: +91 4071 4800
KOLKATA T: +91 33 35898700

OVERSEAS OFFICES & ASSOCIATES

BANGKOK T: +66 21305919
BURLINGTON-NC T: +54 11 65332950
DUBAI T: +9714 548 3200
ITAJAI-BRAZIL T: +55 51 93999193
MOSCOW T: +7 495 2692690